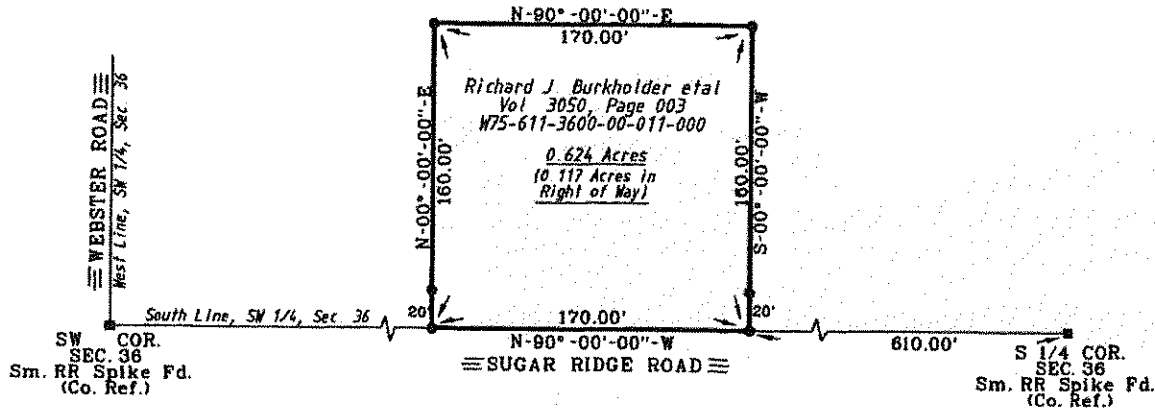
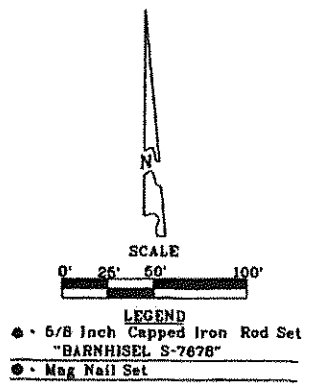


Webster
B
302

SURVEY FOR: RICHARD BURKHOLDER

SW. 1/4 SECTION 36
T-6-N, R-11-E
WEBSTER TOWNSHIP, WOOD CO., OHIO

Richard J Burkholder et al
Vol 3050, Page 003
W75-611-3600-00-012-000



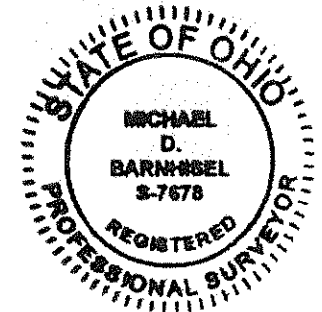
This survey is in reference to a survey by Fred N. Gossman, Reg. Surveyor #2958, April 7, 1962

The bearings referred to herein are based upon an assumed meridian and are used only for the purpose of angular measurement.

(50' Record Right of Way as per Wood Co. Engineers Office)

I HEREBY CERTIFY THIS SURVEY TO BE CORRECT AND TRUE TO THE BEST OF MY KNOWLEDGE

Michael D. Barnhise
MICHAEL D. BARNHISEL
REG. SURVEYOR #S-7678
DATE 8-17-14



Webster
B
302