

Washington
A
478

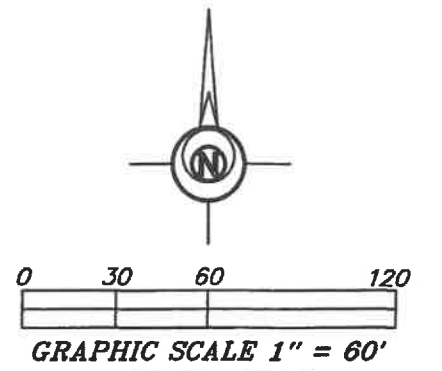
POC
NW COR.,
NE1/4,
SEC. 31
545.75'
S 01°54'58" W

SURVEY REFERENCES:
177-POGGEMEYER 1994
210-POGGEMEYER 1995
289-PETERMAN 2001
296-PETERMAN 2001
304-PETERMAN 2001

I HEREBY CERTIFY THIS TO BE A SURVEY MADE UNDER MY SUPERVISION
AND THAT THE MONUMENTS ARE FOUND AND/OR SET AS INDICATED.
10-19-22
Date
Seth D. Schroeder, P.S.
Registered Surveyor No. 8784
115 S. Fair Avenue, Suite A
Ottawa, Ohio 45875
419-523-5789



THIS SURVEY WAS PERFORMED WITHOUT THE
BENEFIT OF A TITLE EXAMINATION. BEYOND
THE DEED DOCUMENTS CITED ON THE SURVEY
DRAWING THERE MAY BE RECORDED OR UN-
RECORDED EASEMENTS AND/OR
ENCUMBRANCES BENEFITING OR ENCUMBERING
THE SURVEYED PROPERTY WHICH ARE NOT
SHOWN ON THIS DRAWING.



LEGEND

- 5/8 INCH REBAR W/ID CAP SET
- ⊙ 5/8 INCH REBAR W/ID CAP FOUND
- 5/8 INCH REBAR FOUND
- ⊙ 1/2 INCH REBAR W/ID CAP FOUND
- PK PK NAIL FOUND
- MAG MAG NAIL SET
- POC POINT OF COMMENCEMENT
- POB POINT OF BEGINNING



C/L CROSS CREEK ROAD (40' R/W)
N 06°29'58" E 193.55'

JOHN PATTERSON
OR VOL 2622 - PG 232 (PARCEL 1)
1 AC. (RECORDED)
P.N. V72-610-31000016000
1.181 AC. PER THIS SURVEY

KENNETH A. & CINDY L. MYERHOLTZ
OR VOL 3562 - PG 193
6.638 AC. (RECORDED)
P.N. V72-610-310000022530

C/L WEST BRANCH
TONTOGANY CREEK
S 18°17'35" W 97.82'

2.579 ACRES
0.337 AC. IN ROAD R/W
PART P.N. V72-610-31000015000
ALL P.N. V72-610-31000016000

JOHN PATTERSON
OR VOL 2622 - PG 232 (PARCEL 2)
1 AC. (RECORDED)
P.N. V72-610-31000015000
1.398 AC. PER THIS SURVEY

JONATHAN CHERESNICK & JESSICA D. ZINZ-CHERESNICK
OR VOL 3386 - PG 547
4.75 AC. (TAX RECORD)
P.N. V72-610-31000014500

FILENAME: 22-328-BDL-10-19-22.scj DATE: 10/19/22

SURVEY PLAT FOR: TOM PATTERSON

BEING PART OF THE NE1/4 & NW1/4
OF SECTION 31, T6N-R10E,
WASHINGTON TOWNSHIP,
WOOD COUNTY, OHIO

BOCKRATH & ASSOCIATES
ENGINEERING and SURVEYING, LLC
115 S. FAIR AVENUE, SUITE A - OTTAWA, OH 45875
PHONE: 419-523-5789 - FAX: 419-523-5799

Washington
A
478