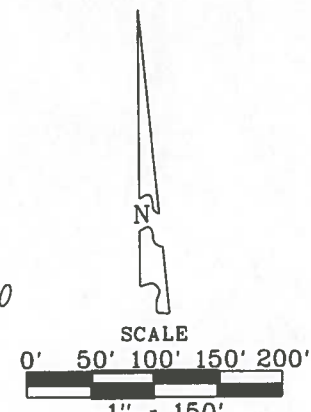
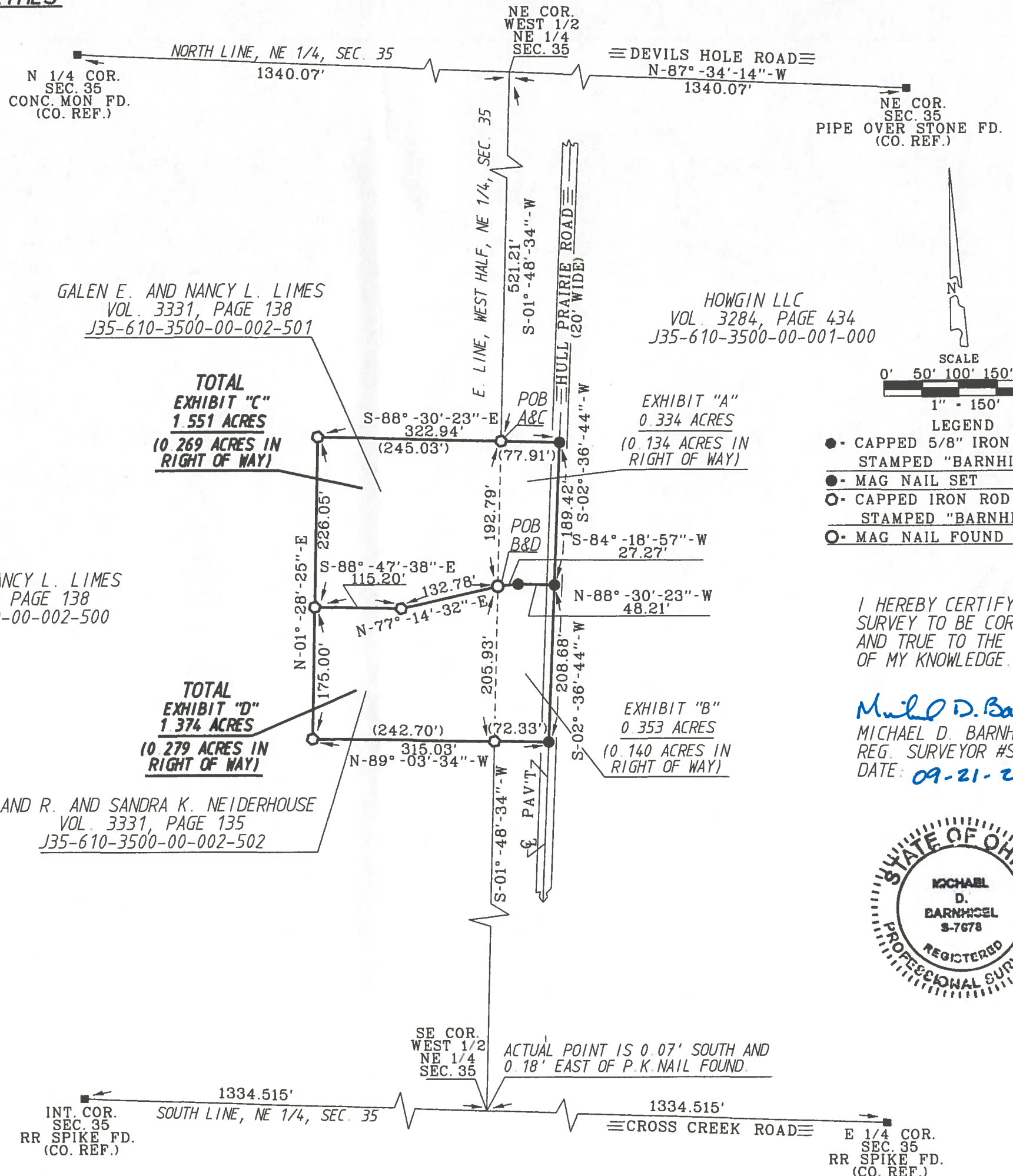


Middleton
A
666

SURVEY FOR: GALEN AND NANCY LIMES

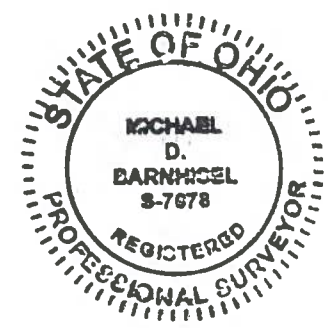
NE 1/4 SECTION 35
T-6-N, R-10-E
MIDDLETON TOWNSHIP, WOOD CO., OHIO



- LEGEND**
- - CAPPED 5/8" IRON ROD SET STAMPED "BARNHISEL S-7678"
 - - MAG NAIL SET
 - - CAPPED IRON ROD FOUND STAMPED "BARNHISEL S-7678"
 - - MAG NAIL FOUND

I HEREBY CERTIFY THIS SURVEY TO BE CORRECT AND TRUE TO THE BEST OF MY KNOWLEDGE.

Michael D. BarnhiseL
MICHAEL D. BARNHISEL
REG. SURVEYOR #S-7678
DATE: 09-21-2017



SURVEY REF:
BARNHISEL SURVEYING 9-16-14

THE BEARINGS REFERRED TO HEREIN ARE BASED UPON AN ASSUMED MERIDIAN AND ARE USED ONLY FOR THE PURPOSE OF ANGULAR MEASUREMENT.

(60' RECORD RIGHT OF WAY FOR HULL PRAIRIE ROAD AS PER WOOD COUNTY ENGINEER'S OFFICE.)

Middleton
A
666