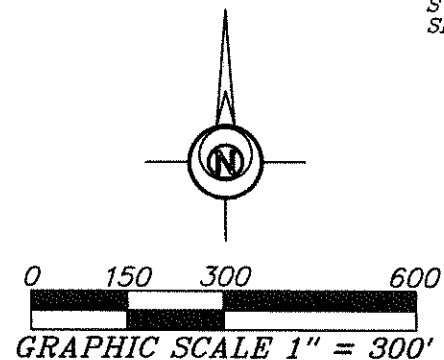
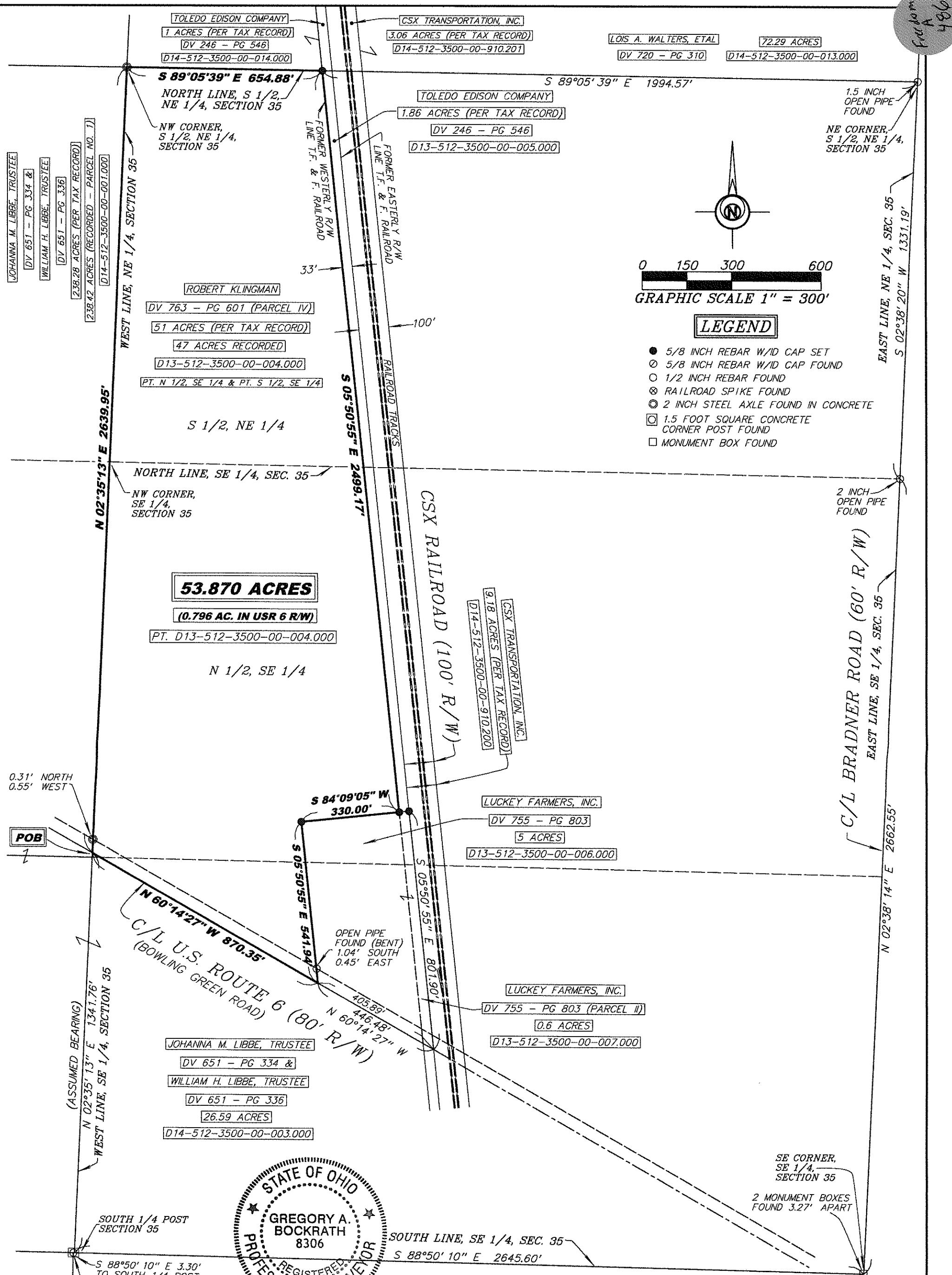


File No. 486



LEGEND

- 5/8 INCH REBAR W/ID CAP SET
- 5/8 INCH REBAR W/ID CAP FOUND
- 1/2 INCH REBAR FOUND
- ⊗ RAILROAD SPIKE FOUND
- ⊙ 2 INCH STEEL AXLE FOUND IN CONCRETE
- 1.5 FOOT SQUARE CONCRETE CORNER POST FOUND
- MONUMENT BOX FOUND



I HEREBY CERTIFY THIS TO BE A SURVEY MADE UNDER MY SUPERVISION AND THAT THE MONUMENTS ARE FOUND AND/OR SET AS INDICATED.

9-17-12
Date

Gregory A. Bockrath
Gregory A. Bockrath, P.S.
Registered Surveyor No. 8306.
115 S. Fair Avenue, Suite A
Ottawa, Ohio 45875

SURVEY FOR:
LUCKEY FARMERS
PART OF THE S 1/2 OF THE NE 1/4 & PART OF THE N 1/2 OF THE SE 1/4 OF SECTION 35, T5N - R12E, FREEDOM TOWNSHIP, WOOD COUNTY, OHIO

Bockrath & Associates
Engineering and Surveying, LLC
115 S. Fair Avenue, Suite A - Ottawa - Ohio
Phone: 419.523.5789

THIS SURVEY WAS PERFORMED WITHOUT THE BENEFIT OF A TITLE EXAMINATION. BEYOND THE DEED DOCUMENTS CITED ON THE SURVEY DRAWING THERE MAY BE RECORDED OR UNRECORDED EASEMENTS AND/OR ENCUMBRANCES BENEFITING OR ENCUMBERING THE SURVEYED PROPERTY WHICH ARE NOT SHOWN ON THIS DRAWING.

0.31' NORTH
0.55' WEST

POB

(ASSUMED BEARING)

SOUTH 1/4 POST SECTION 35
S 88°50' 10" E 3.30'
TO SOUTH 1/4 POST SECTION 35
NORTH 1/4 POST MONTGOMERY TWP SECTION 2

SE CORNER, SE 1/4, SECTION 35
2 MONUMENT BOXES FOUND 3.27' APART

OPEN PIPE FOUND (BENT)
1.04' SOUTH
0.45' EAST

2 INCH OPEN PIPE FOUND

1.5 INCH OPEN PIPE FOUND
NE CORNER, S 1/2, NE 1/4, SECTION 35

EAST LINE, NE 1/4, SEC. 35
S 02°38' 20" W 1331.19'

N 02°38' 14" E 2662.55'

N 02°35'13" E 2639.95'

NORTH LINE, SE 1/4, SEC. 35

53.870 ACRES

(0.796 AC. IN USR 6 R/W)

PT. D13-512-3500-00-004.000

N 1/2, SE 1/4

ROBERT KLINGMAN
DV 763 - PG 601 (PARCEL IV)
51 ACRES (PER TAX RECORD)
47 ACRES RECORDED
D13-512-3500-00-004.000
PT. N 1/2, SE 1/4 & PT. S 1/2, SE 1/4

TOLEDO EDISON COMPANY
1 ACRES (PER TAX RECORD)
DV 246 - PG 546
D14-512-3500-00-014.000

CSX TRANSPORTATION, INC.
3.06 ACRES (PER TAX RECORD)
D14-512-3500-00-910.201

LOIS A. WALTERS, ETAL
72.29 ACRES
DV 720 - PG 310
D14-512-3500-00-013.000

TOLEDO EDISON COMPANY
1.86 ACRES (PER TAX RECORD)
DV 246 - PG 546
D13-512-3500-00-005.000

CSX TRANSPORTATION, INC.
9.18 ACRES (PER TAX RECORD)
D14-512-3500-00-910.200

LUCKEY FARMERS, INC.
DV 755 - PG 803
5 ACRES
D13-512-3500-00-006.000

LUCKEY FARMERS, INC.
DV 755 - PG 803 (PARCEL II)
0.6 ACRES
D13-512-3500-00-007.000

JOHANNA M. LIBBE, TRUSTEE
DV 651 - PG 334 &
WILLIAM H. LIBBE, TRUSTEE
DV 651 - PG 336
26.59 ACRES
D14-512-3500-00-003.000

C/L U.S. ROUTE 6 (80' R/W)
N 60°14'27" W 870.35'
N 60°14'27" W 446.48'
S 05°50'55" E 541.94'
S 84°09'05" W 330.00'

CSX RAILROAD (100' R/W)

C/L BRADNER ROAD (60' R/W)

RAILROAD TRACKS

FORMER WESTERN R/W
FORMER EASTERN R/W
LINE T.F. & F. RAILROAD

WEST LINE, NE 1/4, SECTION 35

S 89°05'39" E 654.88'

S 89°05'39" E 1994.57'

S 05°50'55" E 2499.17'

S 05°50'55" E 801.90'

S 05°50'55" E 541.94'

405.89'

N 60°14'27" W

SOUTH LINE, SE 1/4, SEC. 35
S 88°50' 10" E 2645.60'

File No. 486