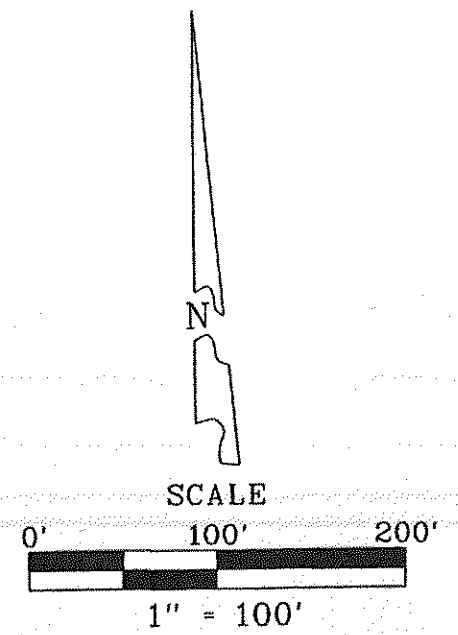
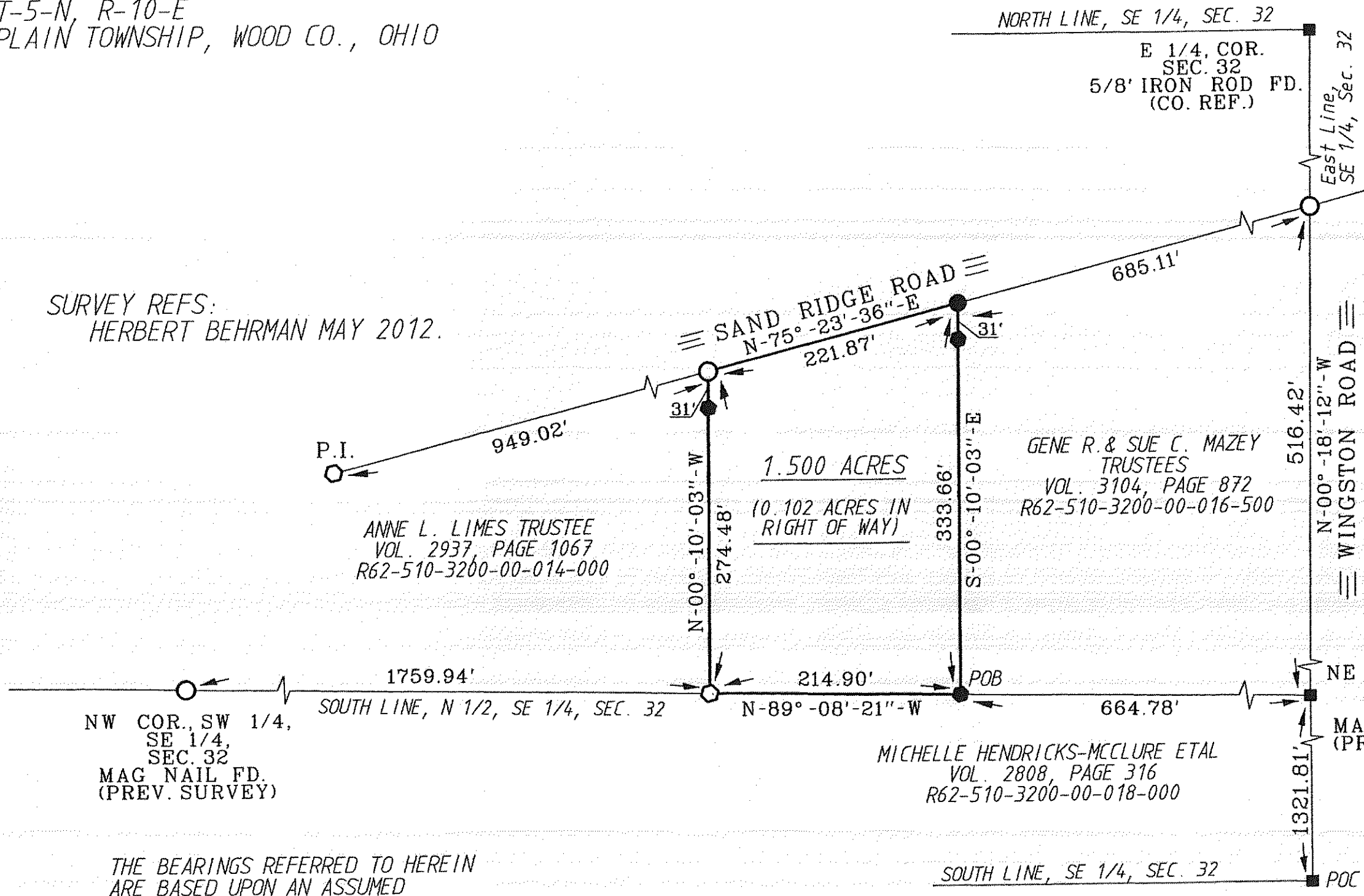


Plain
A
488

SURVEY FOR: KEVIN MAZEY

SE 1/4 SECTION 32
T-5-N, R-10-E
PLAIN TOWNSHIP, WOOD CO., OHIO

SURVEY REFS:
HERBERT BEHRMAN MAY 2012.



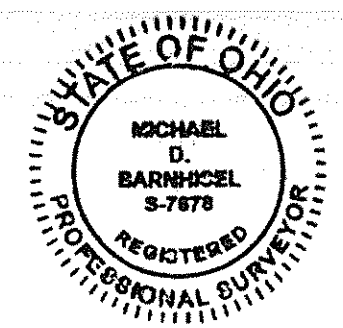
- LEGEND
- = 30" X 5/8" CAPPED IRON ROD SET STAMPED "BARNHISEL S-7678"
 - = MAG NAIL SET
 - = MAG NAIL FOUND
 - = CAPPED IRON ROD FOUND "H. BEHRMAN RSL 5778"

I HEREBY CERTIFY THIS SURVEY TO BE CORRECT AND TRUE TO THE BEST OF MY KNOWLEDGE.

Michael D. BarnhiseL
 MICHAEL D. BARNHISEL
 REG. SURVEYOR #S-7678
 DATE: 04-08-2017

THE BEARINGS REFERRED TO HEREIN ARE BASED UPON AN ASSUMED MERIDIAN AND ARE USED ONLY FOR THE PURPOSE OF ANGULAR MEASUREMENTS.

(40' RECORD RIGHT OF WAY AS PER WOOD COUNTY ENGINEERS OFFICE.)



Plain
A
488