

Mont. B 629

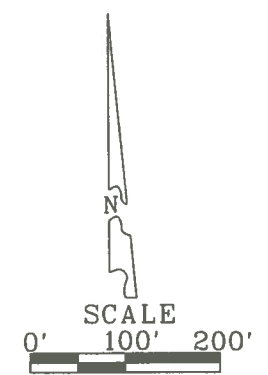
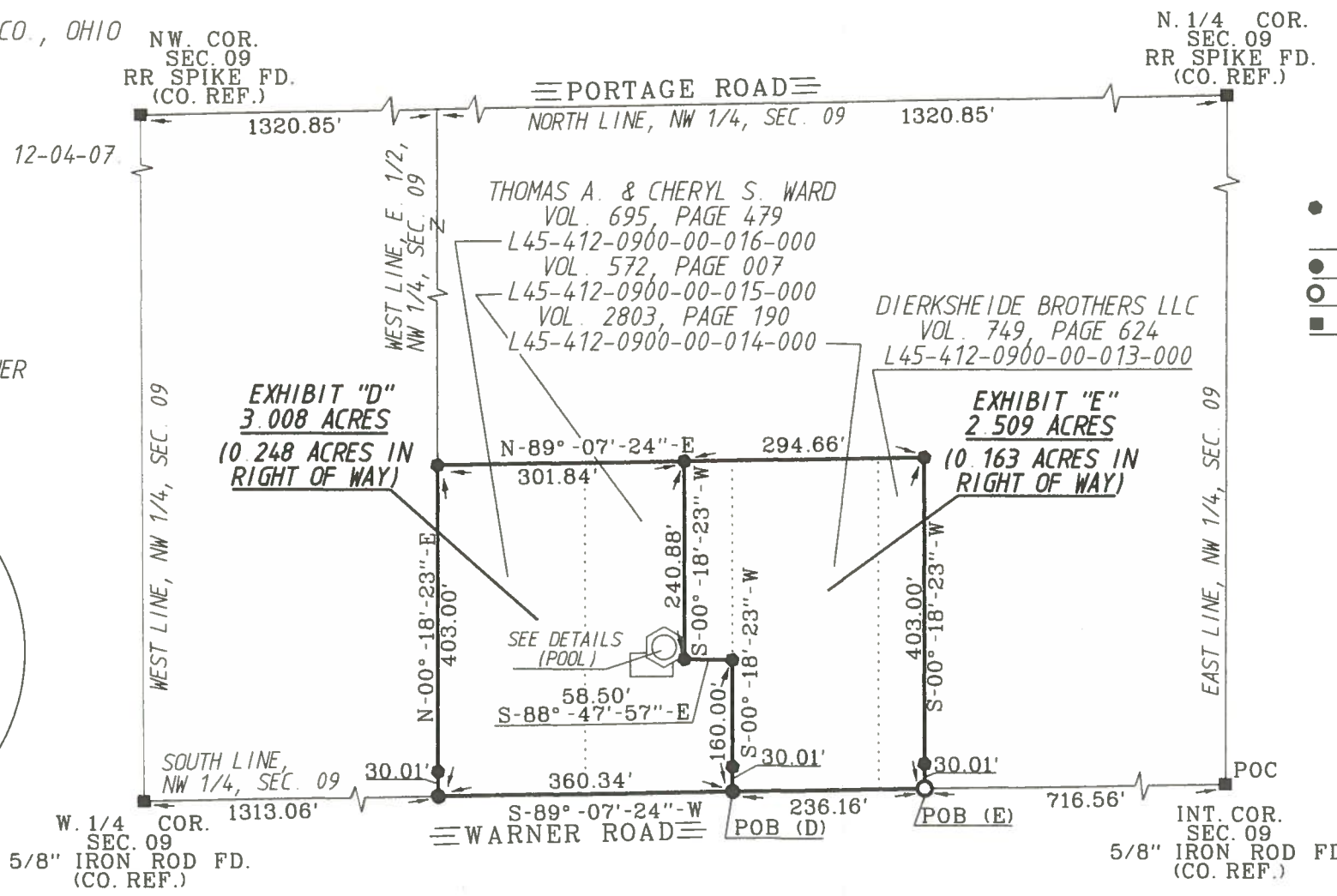
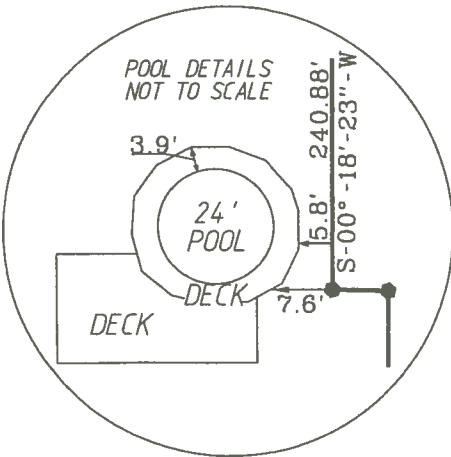
SURVEY FOR: THOMAS A. WARD

NW 1/4 SECTION 09
T-4-N, R-12-E
MONTGOMERY TOWNSHIP, WOOD CO., OHIO

SURVEY REF:
J.C. ANDRUS & ASSOC. INC. 12-04-07
H. MORGAN JUNE 1967.

THE BEARINGS REFERRED TO
HEREIN ARE BASED UPON AN
ASSUMED MERIDIAN AND ARE
USED ONLY FOR THE PURPOSE
OF ANGULAR MEASUREMENTS.

(60' RIGHT OF WAY FOR WARNER
ROAD AS PER WOOD CO,
ENGINEER'S OFFICE)



- LEGEND
- = 30" X 5/8" CAPPED IRON ROD SET STAMPED "BARNHISEL S-7678"
 - = MAG NAIL SET
 - = MAG NAIL FOUND
 - = POINT FOUND AS DESCRIBED

I HEREBY CERTIFY THIS
SURVEY TO BE CORRECT
AND TRUE TO THE BEST
OF MY KNOWLEDGE.

Michael D. Barnhisel
MICHAEL D. BARNHISEL
REG. SURVEYOR #S-7678
DATE: 06-22-2019



Mont. B