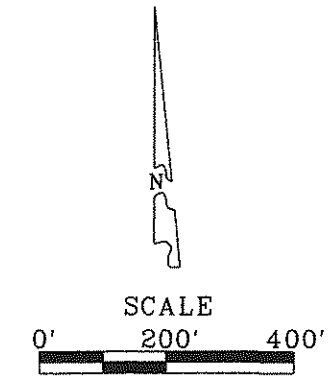
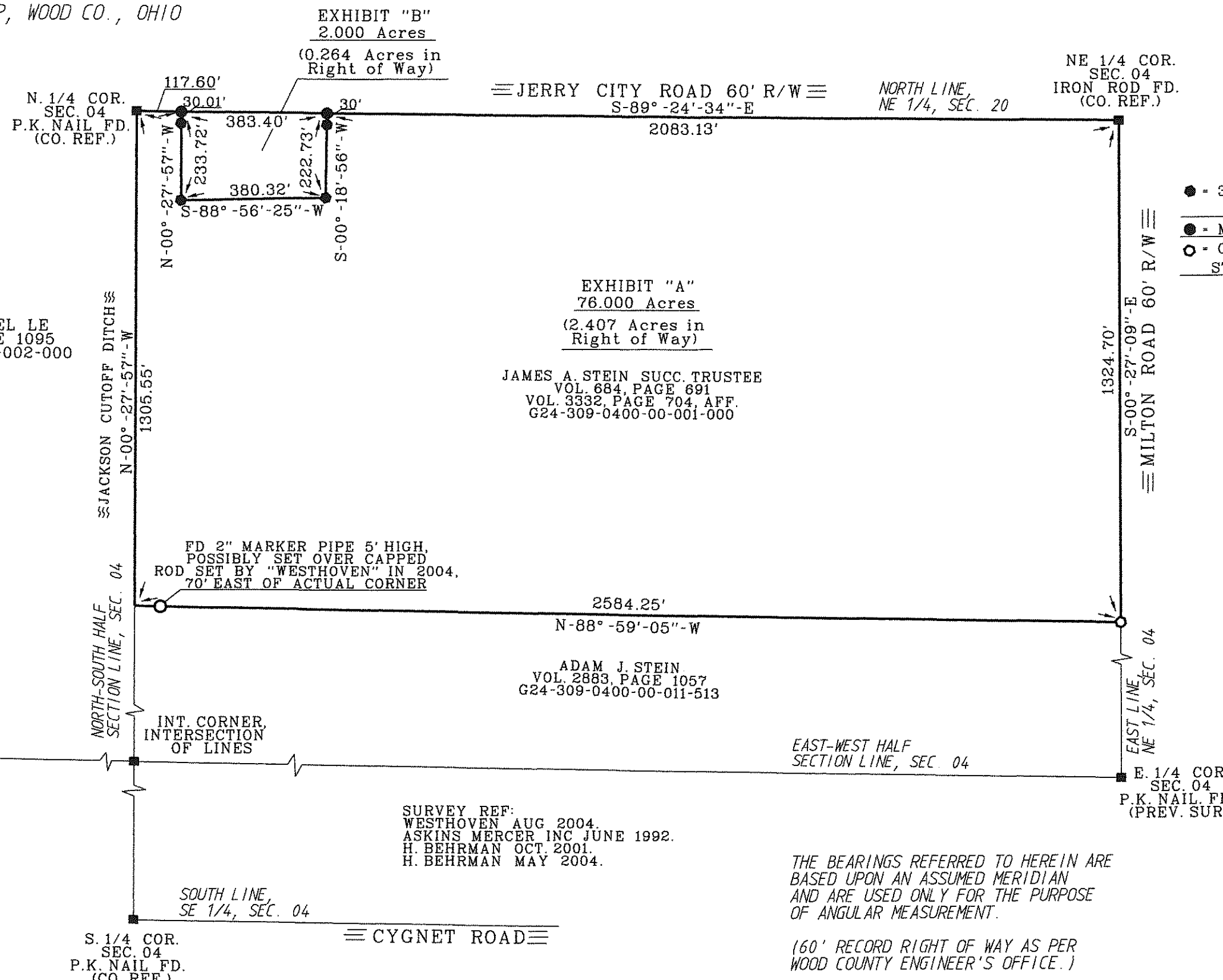


SURVEY FOR: JAMES A. STEIN

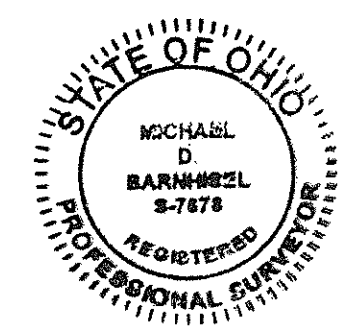
NE 1/4, SECTION 04
 T-3-N, R-9-E
 JACKSON TOWNSHIP, WOOD CO., OHIO



- LEGEND**
- - 30" CAPPED 5/8" IRON ROD SET "BARNHISEL S-7678"
 - - MAG NAIL SET
 - - CAPPED IRON ROD FD. STAMPED "H. BEHRMAN RLS 5778"

I HEREBY CERTIFY THIS SURVEY TO BE CORRECT AND TRUE TO THE BEST OF MY KNOWLEDGE.

Michael D. Barnhisel
 MICHAEL D. BARNHISEL
 REG. SURVEYOR #S-7678
 DATE: 04-17-16



THE BEARINGS REFERRED TO HEREIN ARE BASED UPON AN ASSUMED MERIDIAN AND ARE USED ONLY FOR THE PURPOSE OF ANGULAR MEASUREMENT.

(60' RECORD RIGHT OF WAY AS PER WOOD COUNTY ENGINEER'S OFFICE.)

MILTON 280