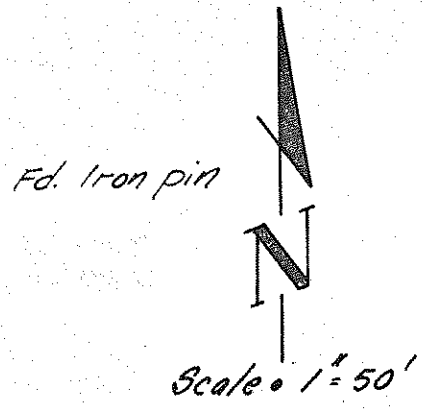
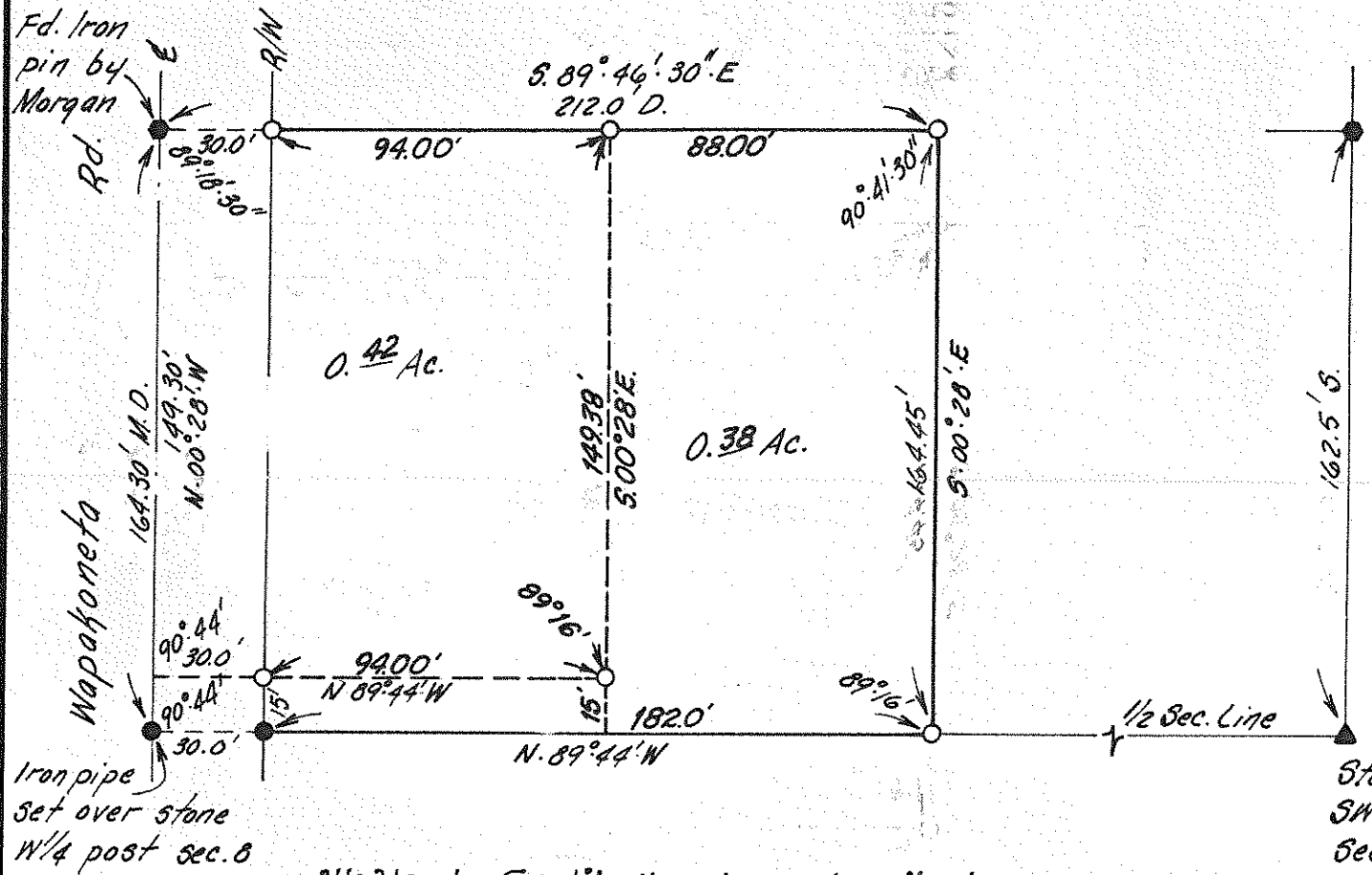


327
GRAND
RAPIDS

Survey For
DR. CHARLES BARGER
Part of SW 1/4, NW 1/4, Sec. 8, T5N
R9E, Grand Rapids Twp., Wood Co., Ohio



- M - Measured dist.
- D - Deed dist.
- S - Survey dist.
- O - Set iron pipe

*NOTE: Reference is made to a survey by H. Morgan 1949.

Stone, SE cor.
SW 1/4, NW 1/4
Sec. 8, T5N, R9E

We Hereby Certify the above described parcel was surveyed during October 1971.
All distances are in feet and decimals thereof.
LESTER H. POGGEMEYER, P.E. ENGINEERS & SURVEYORS
BOWLING GREEN, OHIO

By: Arthur O. Lybarger
REGISTERED SURVEYOR #4418 Arthur O. Lybarger

327
GRAND
RAPIDS