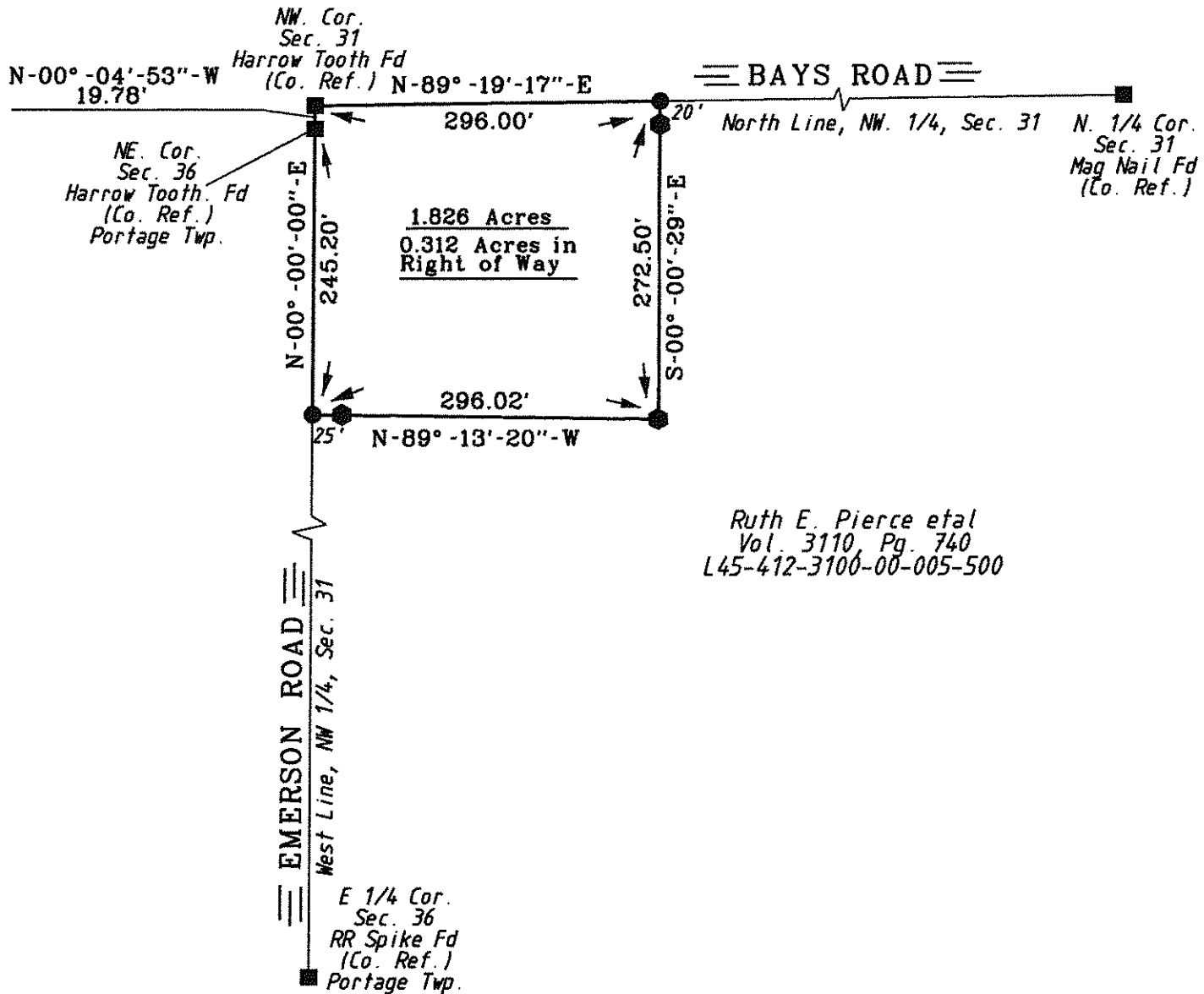


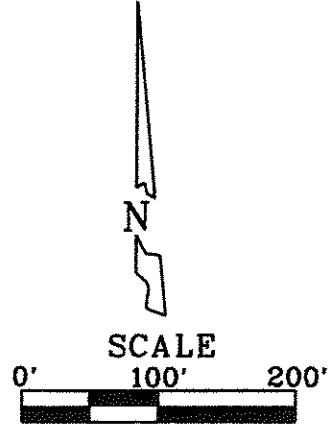
Montgomery
B
472

SURVEY FOR: TRICIA LEWALLAN

PT. NW. 1/4, SEC. 31
T-4-N, R-12-E
MONTGOMERY TWP., WOOD CO., OHIO



Ruth E. Pierce et al
Vol. 3110, Pg. 740
L45-412-3100-00-005-500



LEGEND

- = 5/8 Inch Iron Rod Set
- = P.K. Nail Set

I HEREBY CERTIFY THIS SURVEY TO BE CORRECT AND TRUE TO THE BEST OF MY KNOWLEDGE.

Michael D. Barnhise

MICHAEL D. BARNHISEL
REG. SURVEYOR #S-7678
SEPTEMBER 01, 2012



The bearings referred to herein are based upon an assumed meridian and are used only for the purpose of angular measurement.

60' right of way for Bays Rd and 40' for Emerson Rd, as per Wood Co. Engineer's Office)

Montgomery
B
472