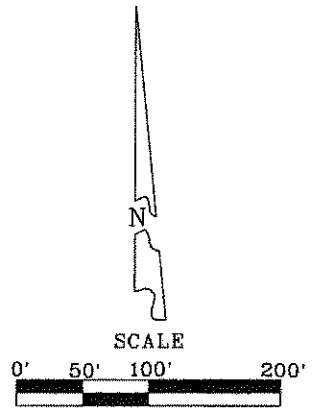


Montgomery
B
478

SURVEY FOR: JERRY GILLILAND

SE 1/4 SECTION 8
T-4-N, R-12-E
MONTGOMERY TOWNSHIP, WOOD CO., OHIO

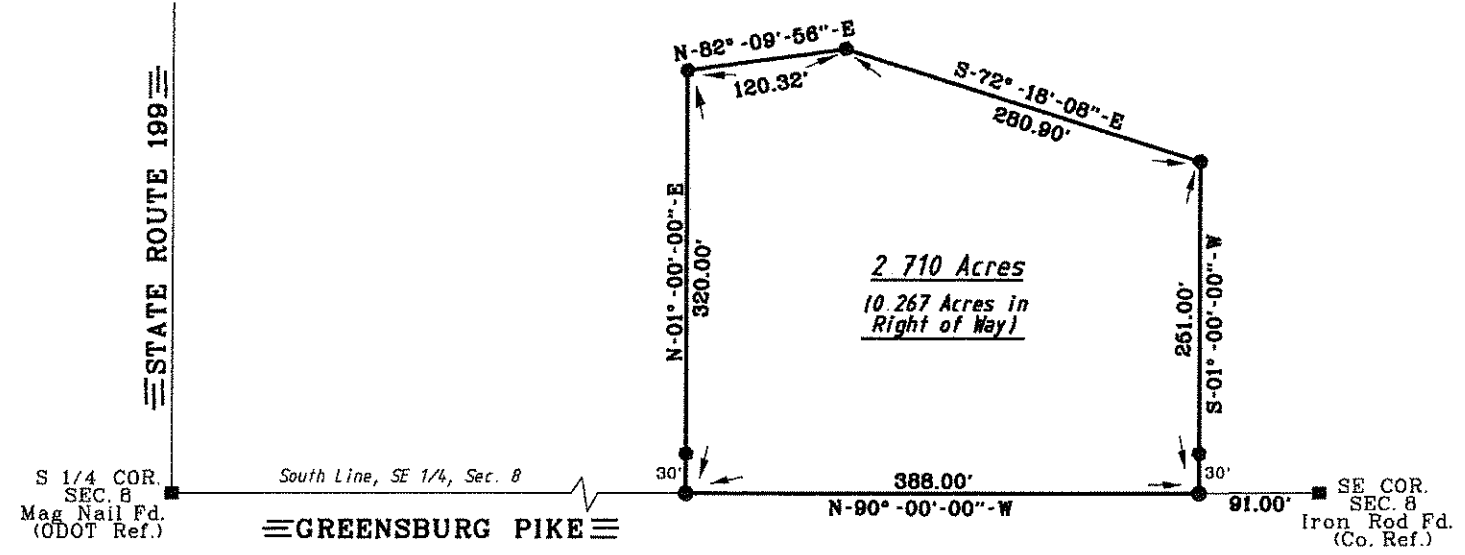
Gilliland Family Investments LLC
Vol. 2754, Page 265
L45-412-0800-00-020-000



- LEGEND
- - Capped 5/8" Iron Rod Set
 - - Iron Rod Found
 - - P.K. Nail Set
 - - Mag Nail Found

I HEREBY CERTIFY THIS SURVEY TO BE CORRECT AND TRUE TO THE BEST OF MY KNOWLEDGE.

Michael D. Barnhisel
MICHAEL D. BARNHISEL
REG. SURVEYOR #S-7678
DECEMBER 07, 2012.



The bearings referred to herein are based upon an assumed meridian and are used only for the purpose of angular measurement.

(60' Record Right of Way as per Wood Co., Engineer's Office)



Montgomery
B
478