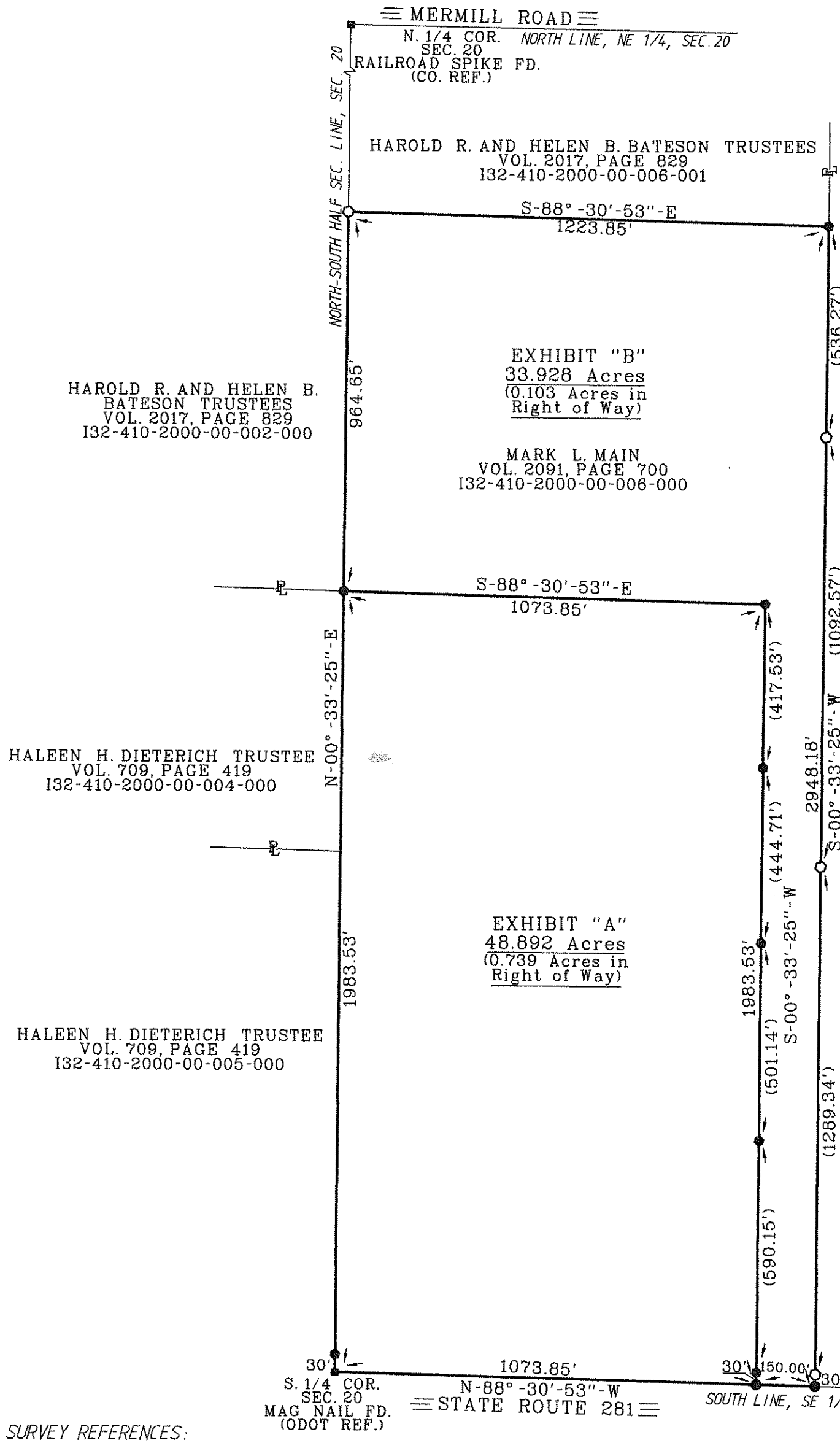
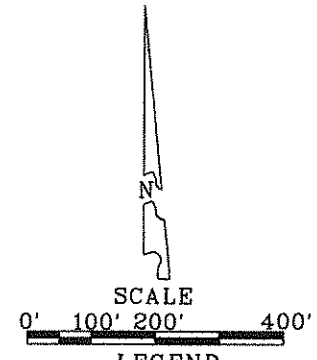


Liberty  
A  
313

# SURVEY FOR: MARK MAIN

NE and SE 1/4, SECTION 20  
T-4-N, R-10-E  
LIBERTY TOWNSHIP, WOOD CO., OHIO



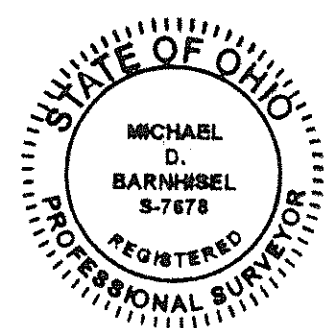
- LEGEND**
- - 5/8 INCH CAPPED IRON ROD SET "BARNHISEL S-7678"
  - - CAPPED IRON ROD FD STAMPED "POGGEMEYER DESIGN GROUP"
  - - P.K. NAIL FOUND
  - - 1/2 INCH IRON PIN FD.

NOTE: ALL RODS SET ARE A MINIMUM OF 30 INCHES IN LENGTH.

HAROLD R. AND HELEN B. BATESON TRUSTEES  
VOL. 2017, PAGE 829  
132-410-2000-00-007-000

I HEREBY CERTIFY THIS SURVEY TO BE CORRECT AND TRUE TO THE BEST OF MY KNOWLEDGE.

*Michael D. Barnhise*  
MICHAEL D. BARNHISEL  
REG. SURVEYOR #S-7678  
DATE: 4-26-15



SURVEY REFERENCES:

POGGEMEYER DESIGN GROUP INC. 7-24-97

THE BEARINGS REFERRED TO HEREIN ARE BASED UPON AN ASSUMED MERIDIAN AND ARE USED ONLY FOR THE PURPOSE OF ANGULAR MEASUREMENTS.

(60' RECORD RIGHT OF WAY AS PER ODOT'S RIGHT OF WAY DEPT.)

Liberty  
A  
313