

Henry
6/19

REFERENCES

Deed Volumes and Pages as shown
Official Record Books and Pages as shown
Wood County Cornerstone References
ODOT Centerline Control References
Original Government Survey Notes for T3N, R9E and for T3N, R10E.
Road Record Volume B, Pages 350, 484 & 485 (North Section)
Road Record Volume B, Page 136 (South Section)

JACKSON TOWNSHIP SURVEYS

Bridge No. 1-43A R/W Plan Page 1/16
Plat for Candace Householder, Survey No. 150
CSX Transportation Inc, ALTA/ACSM, Survey No. 229

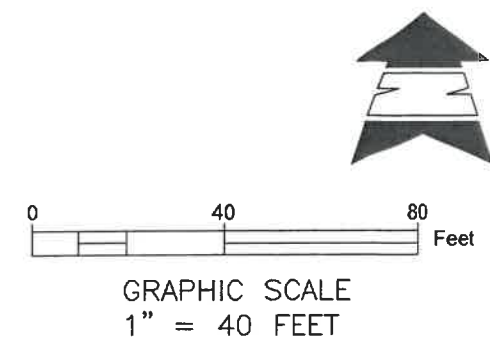
HENRY TOWNSHIP SURVEYS

American Lutheran Church of Minn., Survey No. 106
CSX Transportation Inc, ALTA/ACSM, Survey No. 506

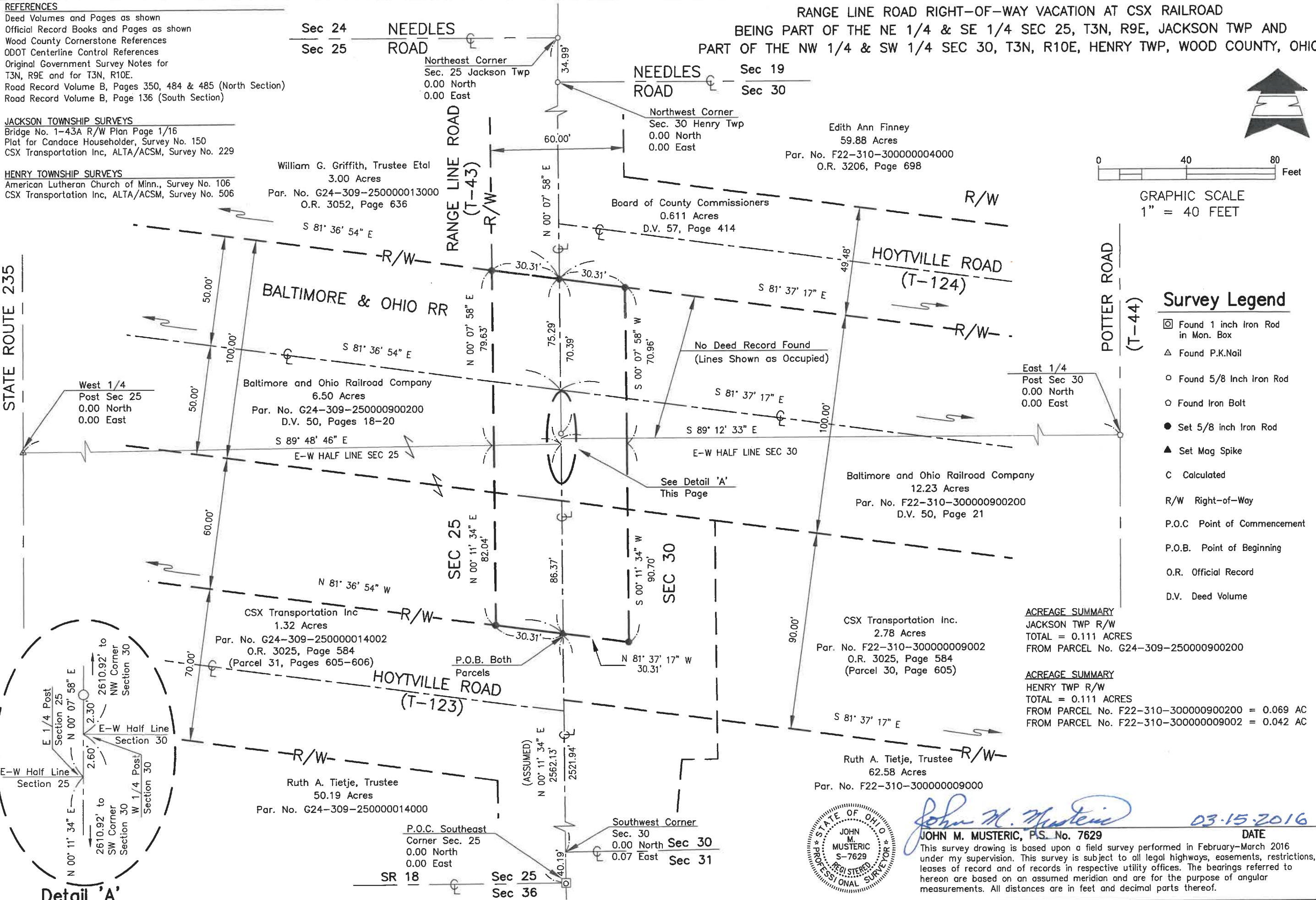
RANGE LINE ROAD RIGHT-OF-WAY VACATION AT CSX RAILROAD
BEING PART OF THE NE 1/4 & SE 1/4 SEC 25, T3N, R9E, JACKSON TWP AND
PART OF THE NW 1/4 & SW 1/4 SEC 30, T3N, R10E, HENRY TWP, WOOD COUNTY, OHIO

Sec 24 NEEDLES ROAD
Sec 25 NEEDLES ROAD

NEEDLES ROAD
Sec 19
Sec 30



STATE ROUTE 235

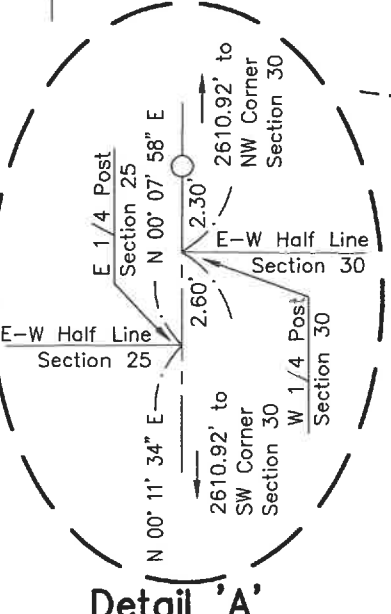


Survey Legend

- ☐ Found 1 inch Iron Rod in Mon. Box
- △ Found P.K.Nail
- Found 5/8 Inch Iron Rod
- Found Iron Bolt
- Set 5/8 inch Iron Rod
- ▲ Set Mag Spike
- C Calculated
- R/W Right-of-Way
- P.O.C Point of Commencement
- P.O.B. Point of Beginning
- O.R. Official Record
- D.V. Deed Volume

ACREAGE SUMMARY
JACKSON TWP R/W
TOTAL = 0.111 ACRES
FROM PARCEL No. G24-309-250000900200

ACREAGE SUMMARY
HENRY TWP R/W
TOTAL = 0.111 ACRES
FROM PARCEL No. F22-310-300000900200 = 0.069 AC
FROM PARCEL No. F22-310-30000009002 = 0.042 AC



John M. Musteric
JOHN M. MUSTERIC, P.S. No. 7629

03-15-2016
DATE

This survey drawing is based upon a field survey performed in February-March 2016 under my supervision. This survey is subject to all legal highways, easements, restrictions, leases of record and of records in respective utility offices. The bearings referred to hereon are based on an assumed meridian and are for the purpose of angular measurements. All distances are in feet and decimal parts thereof.

WOOD COUNTY ENGINEER'S OFFICE
Raymond A. Huber, County Engineer
Bowling Green, Ohio

DESIGNED	JMM	DRAWN	SPJ
REVIEWED	JMM	APPROVED	JMM
JOB NUMBER		PRODUCT NUMBER	****

RIGHT-OF-WAY VACATION PLAT FOR
HENRY AND JACKSON TOWNSHIP TRUSTEES

Henry
6/19