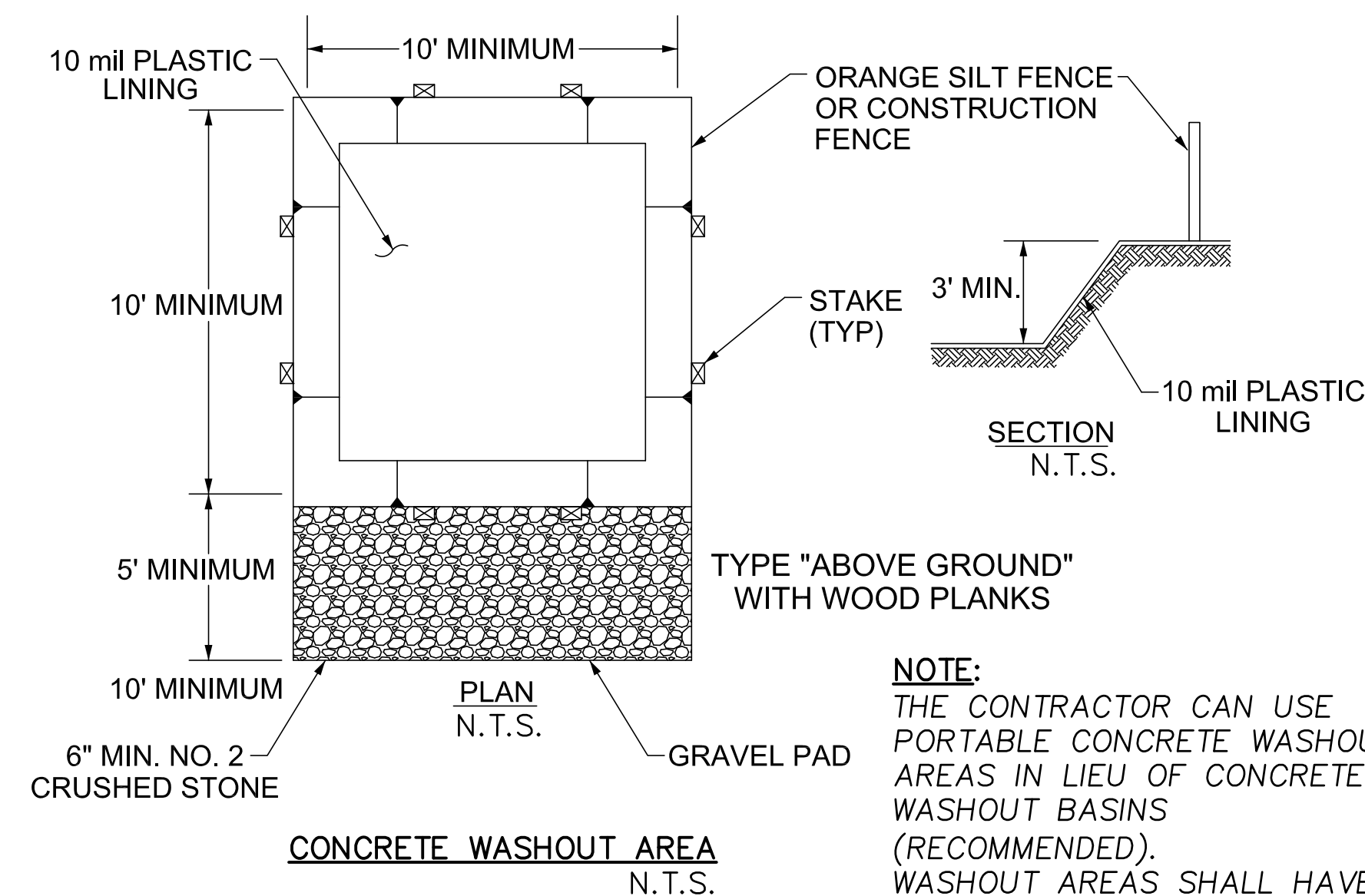


MATERIALS: Filter Fabric shall meet the requirements of CMS 712.09, Type C. The framing wood shall be construction grade 2"x4" lumber.

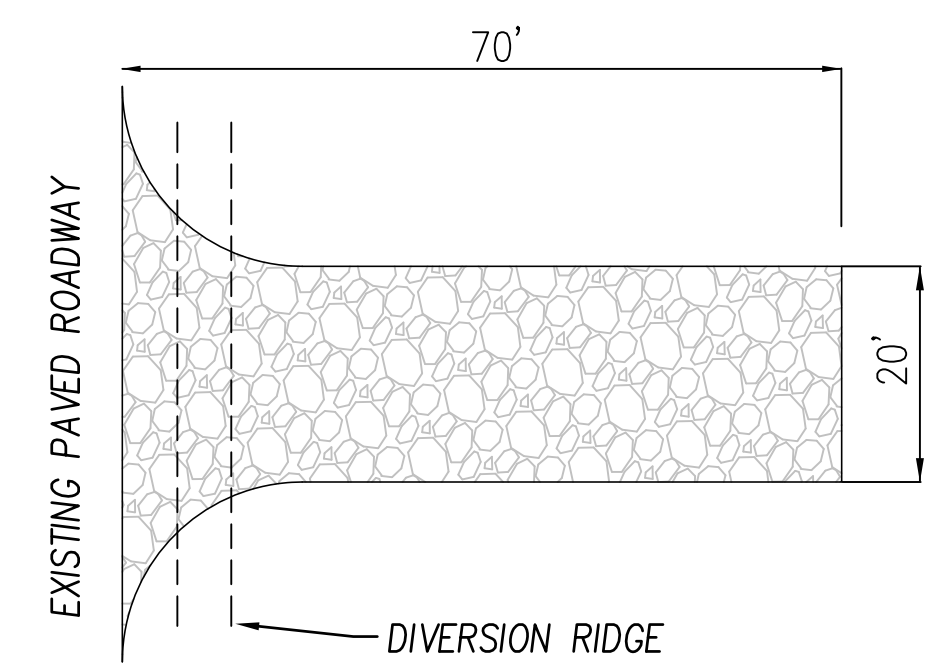
CONSTRUCTION: Excavate a 6" deep trench around the inlet, then drive the 2"x4" posts 6" below the excavated trench. Construct the wooden frame using the overlap joint detail shown above. The filter fabric shall be stretched around the wooden frame and securely fastened. The filter fabric shall overlap across one side of the inlet such that the ends of the filter fabric are not attached to the same post. Backfill and compact the excavated soil. Other devices may be used with the approval of the Engineer.

MAINTENANCE: The filter fabric shall be maintained to be functional. This shall include removal of trapped sediment and required cleaning, repair, and/or replacement of the filter fabric. The maintenance or replacement cost will be paid for by the Department under unit bid prices, agreed unit prices, or under 832.

PAYMENT: The cost of all materials, construction and removal shall be paid for under Item 832 - Temporary Inlet Protection Filter Fabric Fence, Linear Foot.

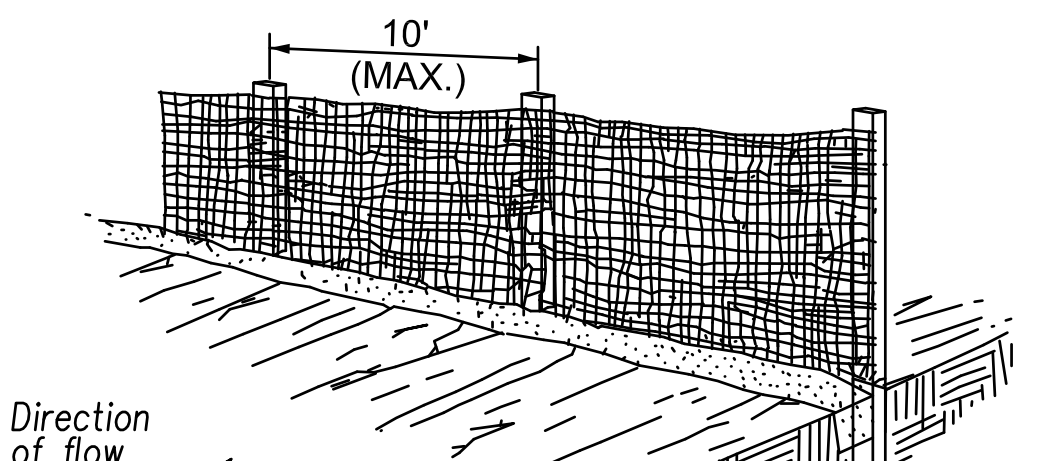
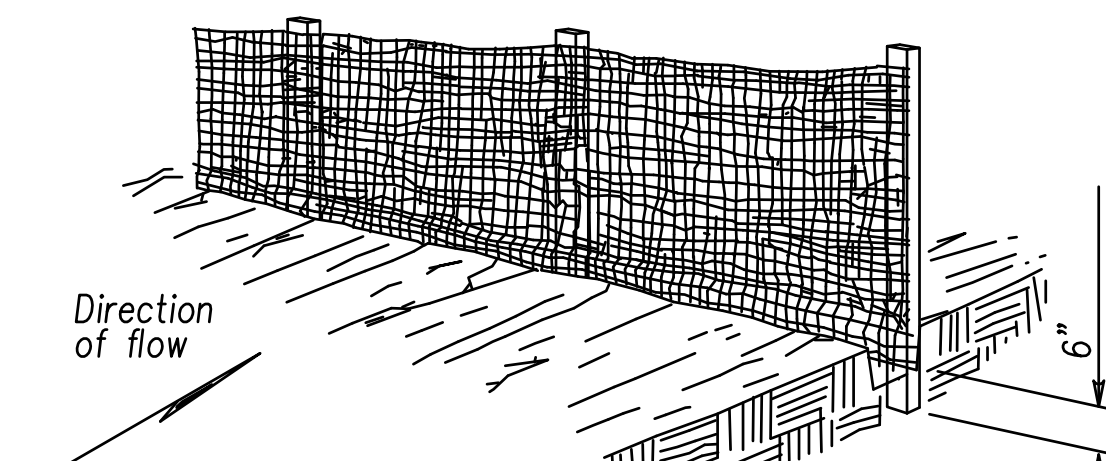
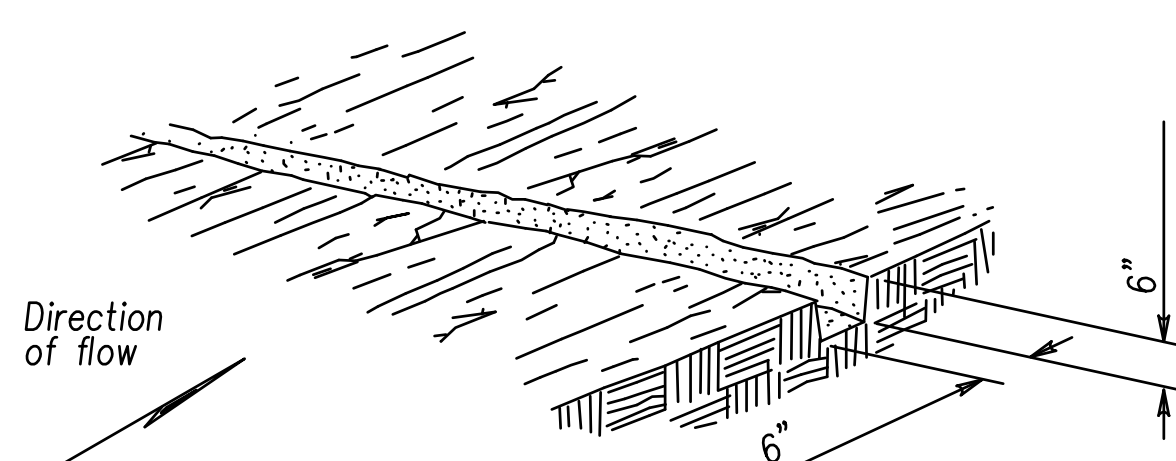


NOTE: THE CONTRACTOR CAN USE PORTABLE CONCRETE WASHOUT AREAS IN LIEU OF CONCRETE WASHOUT BASINS (RECOMMENDED). WASHOUT AREAS SHALL HAVE 10 MIL PLASTIC LINING.

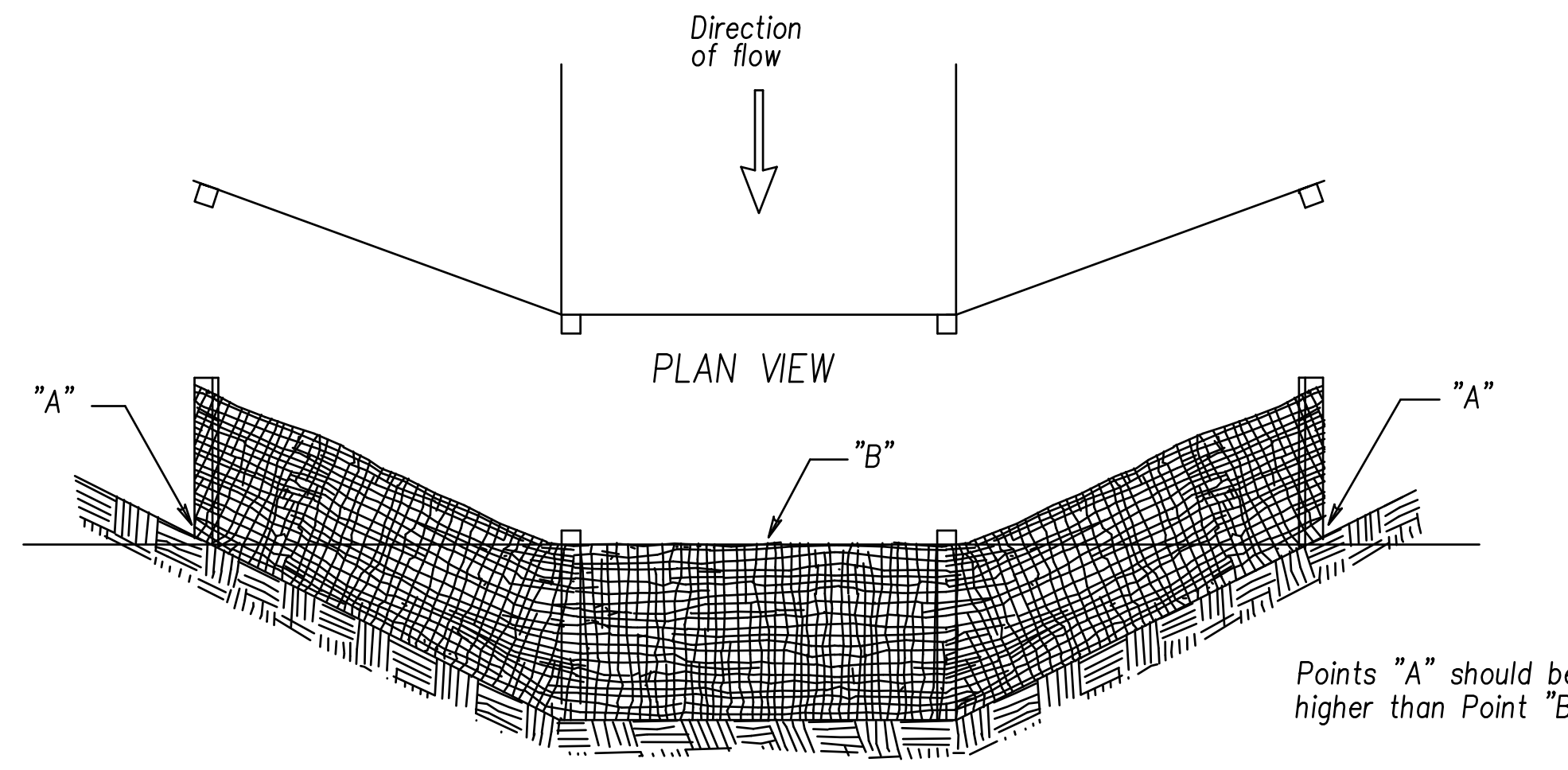


TYPICAL CONSTRUCTION ENTRANCE/EXIT DETAIL
SCALE = NTS

IF MUD MAT BECOMES CLOGGED WITH SEDIMENT SO THAT IT NO LONGER ADEQUATELY PERFORMS ITS FUNCTION, THE STONE MUST BE CLEANED AND REPLACED. ALL EQUIPMENT LEAVING SITE MUST USE MUD MAT AND HAVE LOADS STABILIZED AND TIGHT WITH ALL LOOSE DEBRIS AND MATTER REMOVED PRIOR TO TRAVELING ON PUBLIC ROADWAYS. ANY TRACK-OUT NOT CONTAINED BY THE MUD MAT MUST BE CLEANED UP BY THE CONTRACTOR IMMEDIATELY AFTER OCCURRENCE.



PLACEMENT AND CONSTRUCTION OF PERIMETER FILTER FABRIC FENCE



PLACEMENT AND CONSTRUCTION OF DITCH CHECK FILTER FABRIC FENCE

FLEXSTORM CATCH-IT FILTERS FOR TEMPORARY INLET PROTECTION
PRODUCT SELECTION AND SPECIFICATION DRAWING

INSTALLATION:

- REMOVE GRATE
- DROP FLEXSTORM INLET FILTER INTO LOAD BEARING LIP OF CASTING OR CONCRETE STRUCTURE
- REPLACE GRATE

NOTES:

- ALL FRAMING IS CONSTRUCTED OF CORROSION RESISTANT STEEL FRAMING FOR PROLONGED PRODUCT LIFE.
- TOTAL BYPASS CAPACITY WILL VARY WITH EACH SIZED DRAINAGE STRUCTURE. FLEXSTORM DESIGNS FRAMING BYPASS TO MEET OR EXCEED THE DESIGN FLOW OF THE PARTICULAR DRAINAGE STRUCTURE. CONCRETE STRUCTURES MAY REQUIRE ADDITIONAL REVIEW.
- UPON ORDERING THE ADS P/N CONFIRMATION OF THE DOT CALLOUT, FLEXSTORM ITEM CODE, CASTING MAKE AND MODEL, OR DETAILED DIMENSIONAL FORMS MUST BE PROVIDED.
- FOR WRITTEN SPECIFICATIONS AND MAINTENANCE GUIDELINES VISIT WWW.INLETFILTERS.COM

Product selection for FLEXSTORM CATCH-IT Filters (Temporary Inlet Protection)									
Standard	East Jordan Casting	Neesah Casting	Inlet Type	Grate Size	Opening Size	Bag Cap. (ft³)	Flow Ratings (CFS)		ADS P/N
							FX	Bypass	
2-2A	5110 Grate on Cast Iron Angle Frame	R-4859-C	Square/Rect. (SQ)	27.75 X 27.75	24.5 x 24.5	3.3	2.0	5.2	62MSQ224FX
2-2B/2-3/4/2-5/2-6	5110 Grate On 2" x 2" Concrete Box or Frame	R-4859-C	Concrete Box (HD)	27.75 X 27.75	24.0 x 24.0	3.3	2.0	5.2	62MSQ2424FX
CB-3	7358 (side by side 7358)	R-3288	Curb Box (CB)	29.87 x 16.75	28.2 x 14.75	4.4	3.6	6.8	62XLCB3FX
CB-3 Fischer Flap	7358 & 23" X 40" FISCHER FLAP	R-3288	Curb Box (CB)	29.87 x 16.75	28.2 x 14.75	4.4	3.6	6.8	62XLCB3FX-FF
CB-3A	7350	R-3289	Curb Box (CB)	29.87 x 16.75	28.2 x 14.7	2.2	1.8	3.3	62MCS3AFX
CB-3A Fischer Flap	7350 & 23" X 40" FISCHER FLAP	R-3289	Curb Box (CB)	29.87 x 16.75	28.2 x 14.7	2.2	1.8	3.3	62MCS3AFX-FF
CB-6	6254	R-3415 & R-3451	Square/Rect. (SQ)	35.75 x 17.75	34 x 16	2.8	2.0	3.8	62LSQ3618FX
CB-7	Many	Many	Round (RD)	22.0	18.0	1.3	2.5	4.4	62MRD2218FX
N/A	6250	R-3405	Square/Rect. (SQ)	23.6 x 23.6	22.125 x 22.125	3.1	1.9	4.5	62MSQ2222FX
N/A	7390	R-3514-F	Roller Curb (RC)	29 x 27.75	27.375 x 26.125	4.5	2.2	6.5	62LRC7390FX
City of Columbus Standard									
S128	7030/7035	R-3067	Curb Box (CB)	35.5 x 17.75	33.2 x 15.5	2.8	2.0	3.8	62LCB3618FX
S128	7030/7035	R-3067	Curb Box (CB)	35.5 x 17.75	33.2 x 15.5	3.4	2.1	5.2	62LCBEXTFX (EXT)
S129	7495	3501-TR	Roller Curb (RC)	26 x 23.5	26.1 x 21.5	3.2	2.0	5.1	62LRC3501TRFX
S133/6134/2-38	5110 Grate On 2" x 2" Concrete Box	R-4859-S	Concrete Box (HD)	27.5 X 27.5	24.0 x 24.0	3.3	2.0	5.2	62MSQ2424FX
S139	5110/5115 Grate on 5110 Frame	R-4859-C	Square/Rect. (SQ)	27.5 x 27.5	25.5 x 25.5	3.7	2.2	5.5	62LSQ2525FX
S138	1660	Many	Round (RD)	22.25	20.7	1.4	2.7	4.8	62MRD2220FX
S140	NA	NA	Square/Rect. (SQ)	23.8 X 14.8	22.0 X 13.0	1.6	1.5	3.8	62MSQ2213FX
S141	5115 Grate on 5115 Frame	R-4859	Square/Rect. (SQ)	27.0 x 27.0	25.0 x 25.0	3.6	2.1	5.4	62LSQ2525FX
Ditch Grates	2830, 2870, 6527	Many	Round (RD)	Various	24	1.9	3.0	2.1	62MRD24FX

ALL PRODUCTS MANUFACTURED BY INLET & PIPE PROTECTION, INC A DIVISION OF ADS, INC. WWW.INLETFILTERS.COM (866) 287-8655 PH (630) 355-3477 FX INFO@INLETFILTERS.COM

SIZE C, SCALE, C-OH-SUBMIT, REV A, SHEET 1 OF 1