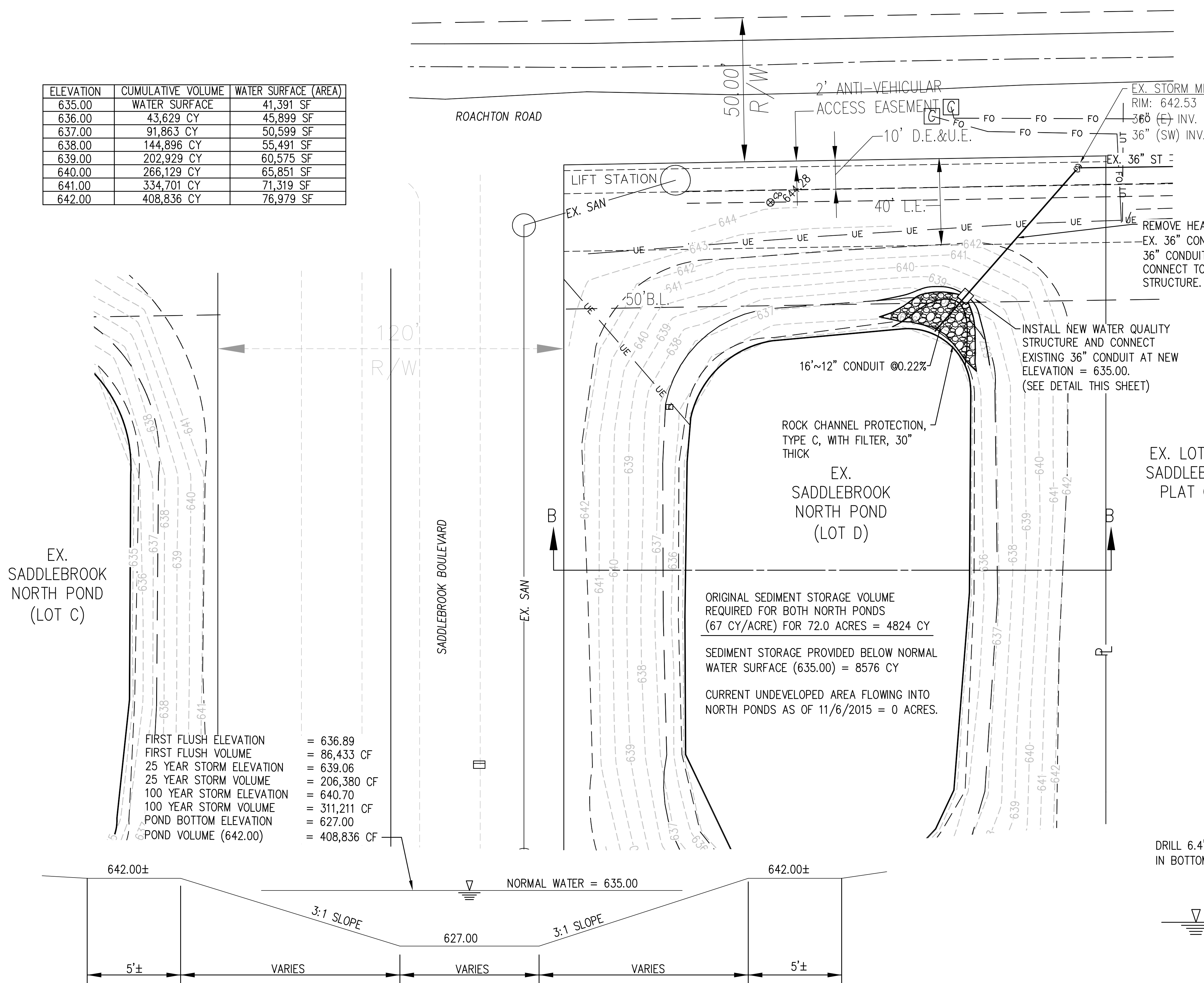
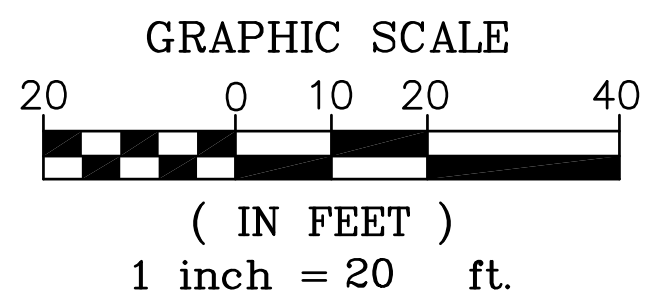
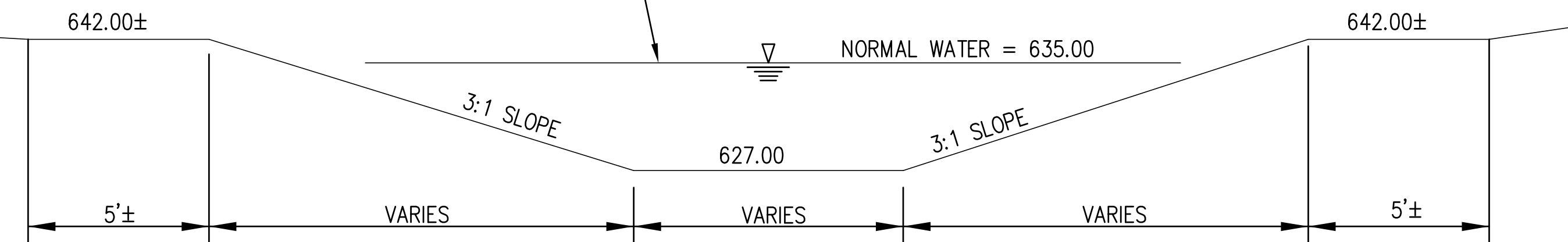


ELEVATION	CUMULATIVE VOLUME	WATER SURFACE (AREA)
635.00	WATER SURFACE	41,391 SF
636.00	43,629 CY	45,899 SF
637.00	91,863 CY	50,599 SF
638.00	144,896 CY	55,491 SF
639.00	202,929 CY	60,575 SF
640.00	266,129 CY	65,851 SF
641.00	334,701 CY	71,319 SF
642.00	408,836 CY	76,979 SF

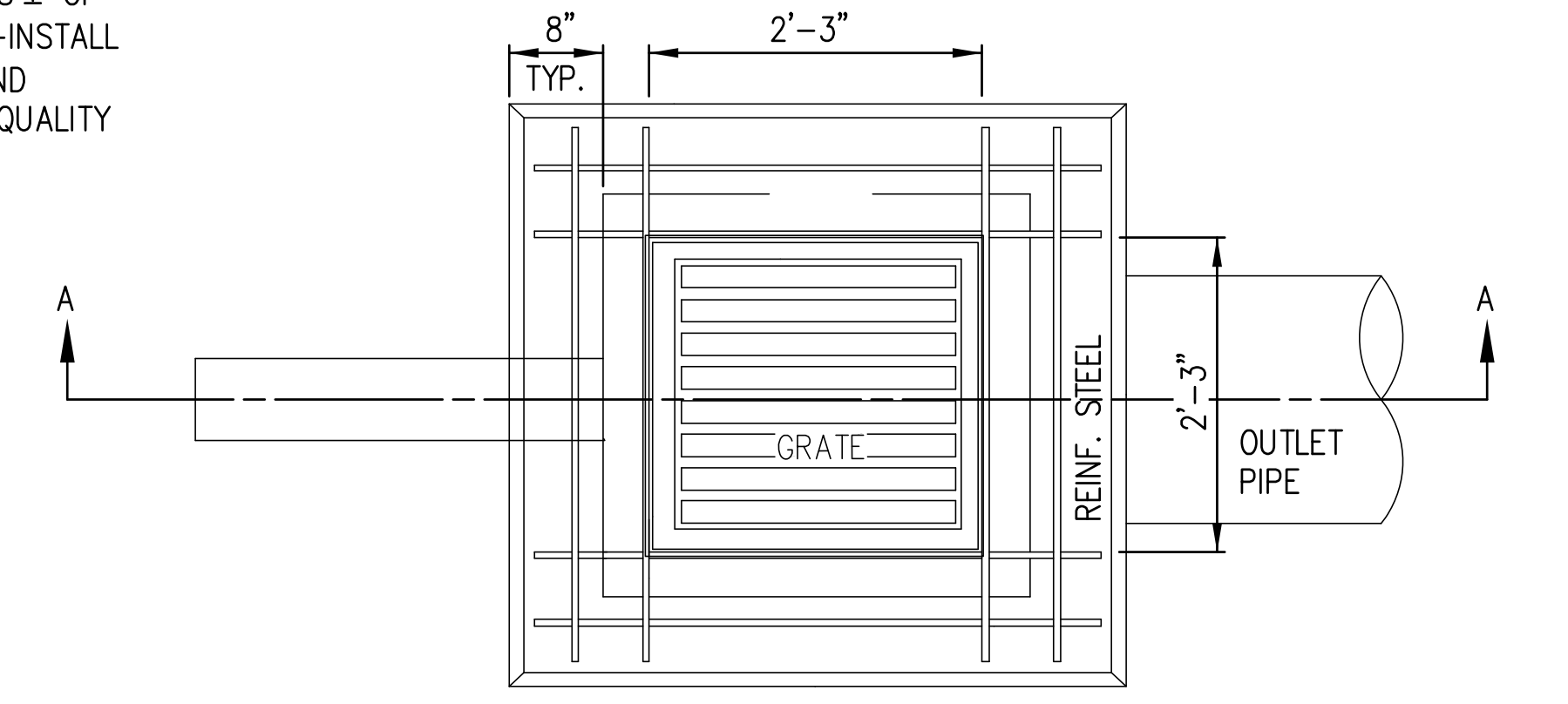


FIRST FLUSH ELEVATION	= 636.89
FIRST FLUSH VOLUME	= 86,433 CF
25 YEAR STORM ELEVATION	= 639.06
25 YEAR STORM VOLUME	= 206,380 CF
100 YEAR STORM ELEVATION	= 640.70
100 YEAR STORM VOLUME	= 311,211 CF
POND BOTTOM ELEVATION	= 627.00
POND VOLUME (642.00)	= 408,836 CF

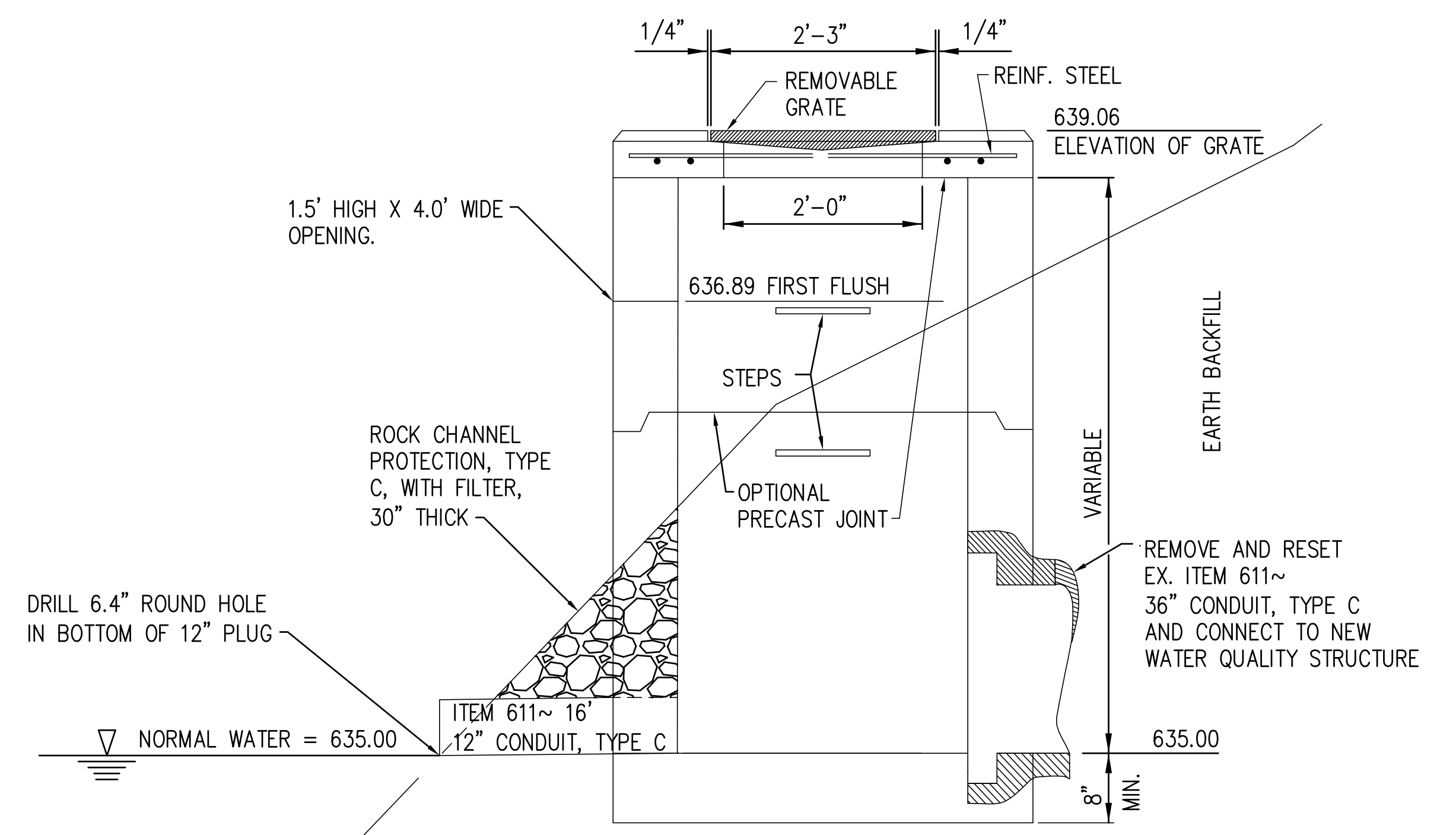
ORIGINAL SEDIMENT STORAGE VOLUME REQUIRED FOR BOTH NORTH PONDS (67 CY/ACRE) FOR 72.0 ACRES = 4824 CY
 SEDIMENT STORAGE PROVIDED BELOW NORMAL WATER SURFACE (635.00) = 8576 CY
 CURRENT UNDEVELOPED AREA FLOWING INTO NORTH PONDS AS OF 11/6/2015 = 0 ACRES.



EXISTING DETENTION POND SECTION B-B
 SCALE = NTS



PLAN VIEW (DETENTION)
 NOT TO SCALE



SECTION A-A (DETENTION)
 (ODOT 2-4 CB)
 NOT TO SCALE
 WATER QUALITY BASIN (ODOT WQ-1.1)
 SCALE = NTS

TYPICAL MAINTENANCE ACTIVITIES FOR WATER QUALITY PONDS

SCHEDULE	ACTIVITY
MONTHLY	MOW EMBANKMENT AND CLEAN TRASH AND DEBRIS FROM OUTLET STRUCTURE. ADDRESS ANY ACCUMULATION OF HYDROCARBONS.
ANNUALLY	INSPECT EMBANKMENT AND OUTLET STRUCTURE FOR DAMAGE AND PROPER FLOW. REMOVE WOODY VEGETATION AND FIX ANY ERODING AREAS. MONITOR SEDIMENT ACCUMULATIONS IN FOREBAY AND MAIN POOL.
SEMI-ANNUALLY	INSPECT WETLAND AREAS FOR INVASIVE PLANTS.
3-7 YEARS	REMOVE SEDIMENT FROM FOREBAYS.
15-20 YEARS	MONITOR SEDIMENT ACCUMULATIONS IN THE MAIN POOL AND CLEAN AS POND BECOMES EUTROPHIC OR POND VOLUME IS REDUCED SIGNIFICANTLY.

CONTRIBUTING DRAINAGE AREA	SEDIMENT BASIN				PERMANENT STORMWATER FACILITY			
	DEWATERING VOLUME	SEDIMENT STORAGE VOLUME	DETENTION TIME MIN 48 HR	SEDIMENT CONTROL ORIFICE SIZE	WATER QUALITY VOLUME-WQv	PERMANENT POOL VOLUME	DETENTION TIME	WQv ORIFICE SIZE (EXTENDED DETENTION) (Inch)
(Acre)	(Cubic Yard)	(Cubic Yard)	(Hours)	(Inch)	(Cubic Yard)	(Cubic Yard)	(Hours)	(Inch)
72.00	3201	8576	48	--	3201	8576	24	6.4

BENCH MARK DATA	
NORTH BONNET BOLT ON FIRE HYDRANT STA. 9+39.91, 59.13' LT, STONEBRIDGE LANE ELEVATION.....	644.87
BENCH MARK DATA	
NORTH BONNET BOLT ON FIRE HYDRANT STA. 20+76.40, 19' RT, SADDLE HORN DRIVE ELEVATION.....	647.05

Plot Date: 2/16/2016 9:15 AM
 File Name: 09-38-CP Water Quality P & D.dwg